

## Product Instructions

# Viega ProPress® Dynamic Balancing Valve



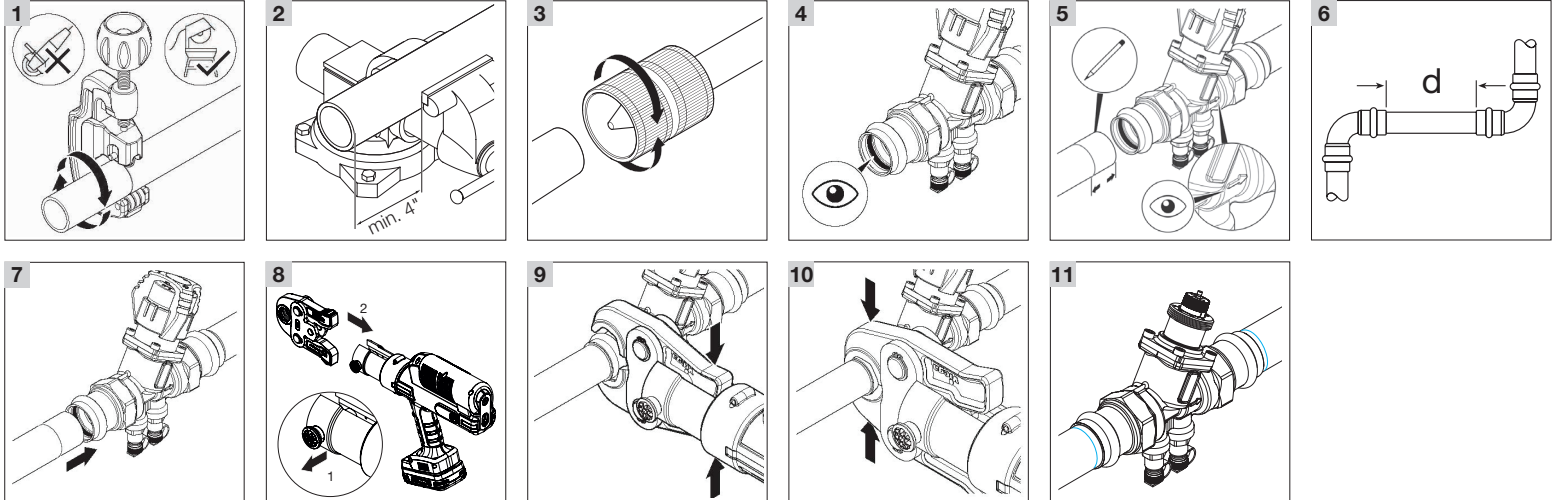
Model 2981.7

**viega**

**> Viega LLC**  
585 Interlocken Blvd.  
Broomfield, CO 80021

Phone (800) 976-9819  
www.viega.us

PI-PP 531238 0424 ProPress Dynamic Balancing Valve



EN

## Viega ProPress Dynamic Balancing Valve

For Hard Copper Tubing in ½" to 2" and Soft Copper Tubing in ½" to 1¼"

**!** Viega products are designed to be installed by licensed and trained plumbing and mechanical professionals who are familiar with Viega products and their installation. **Installation by non-professionals may void Viega LLC's warranty.**

**!** **DANGER!** Read and understand all instructions for installing Viega ProPress fittings. Failure to follow all instructions may result in extensive property damage, serious injury, or death.

**!** Only valves marked with NSF-61 and NSF-372 are allowed for use in potable water systems.

- 1 Cut copper tubing square using displacement-type cutter or fine-toothed saw.
- 2 Cut tubing a minimum of 4" away from the contact area of the vise to prevent possible damage to the tubing in the press area.
- 3 Remove burr from inside and outside of tubing and prep to proper insertion depth using a preparation tool or fine grit sandpaper.
- 4 Check the sealing element for correct fit. Do not use oils or lubricants. Ensure the indication arrow on the valve body matches the correct flow direction of the system.

- 5 Mark proper insertion depth as indicated by the Viega ProPress Insertion Depth Chart. Improper insertion depth may result in improper seal. It is recommended that the depth marking be visible on the completed assembly. Make sure the flow direction indicator on the valve is facing the correct direction.

### Viega ProPress Insertion Depth Chart

Tube Size	½"	¾"	1"	1¼"	1½"	2"
Insertion Depth	¾"	⅞"	⅞"	1"	1⅞"	1⅞"

- 6 Refer to the chart below for minimum distance between fittings. To ensure a correct press, a minimum distance between press fittings must be maintained. Failure to provide this distance may result in an improper seal.

Tube Diameter (in)	d (in)	d (mm)
½	0	0
¾	0	0
1	0	0
1¼	⅞	10
1½	⅞	15
2	¾	20

**i** Copper tubing must be free of surface imperfections, including metal stamped print lines, before a ProPress valve is installed.

- 7 While turning slightly, slide valve onto tubing to the marked depth. End of tubing must contact stop.
- 8 Insert appropriate Viega ProPress jaw into the press tool and push in, holding pin until it locks in place.

## EN Product Instructions Viega ProPress Dynamic Balancing Valve

This document is subject to updates. For the most current Viega technical literature please visit [www.viega.us](http://www.viega.us).

**!** **WARNING!** Keep extremities and foreign objects away from press tool during pressing operation to prevent injury or incomplete press.

- 9 Open the jaw and place at right angle on the valve. Visually check insertion depth using mark on tubing.
- 10 Hold trigger on press tool until press jaws have fully engaged the valve.
- 11 After pressing, open the jaw and remove the press tool. Repeat steps for the other end of the valve.