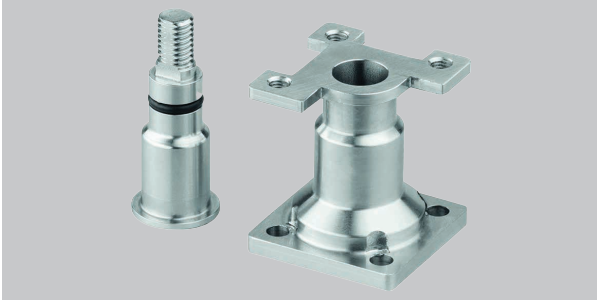


Product Instructions

Viega Stem Extension 2972.12

EN Product Instructions Viega Stem Extension 2972.12

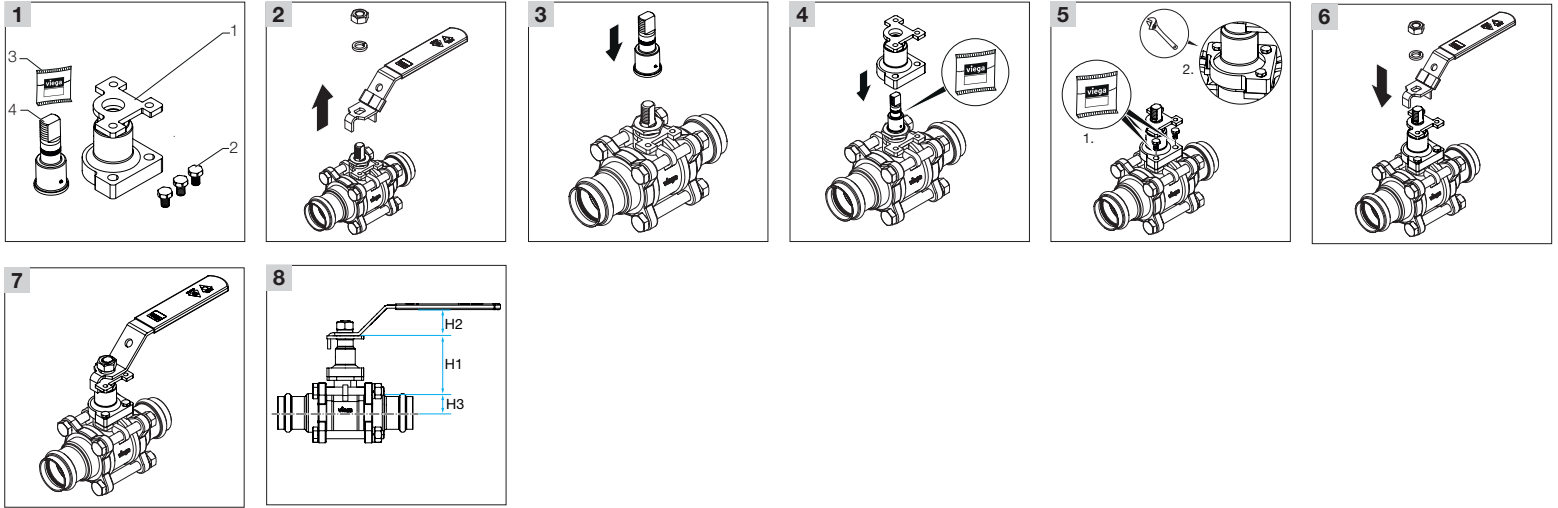
This document is subject to updates. For the most current Viega technical literature, please visit www.viega.us.



Viega LLC
585 Interlocken Blvd.
Broomfield, CO 80021

Phone (800) 976-9819
www.viega.us

PI-PP 531216 0424 Stem Extension 2972.12



EN

Viega Stem Extension Model 2972.12

! Viega products are designed to be installed by licensed and trained plumbing and mechanical professionals who are familiar with Viega products and their installation. **Installation by non-professionals may void Viega LLC's warranty.**

i This model can be used for all Viega 3-piece ball valves from 1/2" to 2".

- 1 Confirm all components are present and free of defects: 1=exterior piece of extender, 2=metric bolts (M5 = max 4.9 Nm, M6 = max 8.5Nm), 3=grease packet, 4=interior piece of extender.
- 2 Turn stem nut in counterclockwise direction while holding the valve handle. Remove stem nut and handle from stem.
- 3 Insert interior piece of extender (component 4 from graphic 1) onto stem thread.

- 4 Wet the o-ring on the interior piece and the thread on the top with a little grease. Place exterior piece of extender over the interior piece until the two flanges are on top of each other.
- 5 (1) Wet the bolts with a little grease and hand tighten the bolts to the flange.
(2) Tighten the bolts with 44 in-lb for M5, 75 in-lb for M6.
- 6 Align the handle that was removed with the new stem extender and tighten the handle back into place with the nut that was previously removed. Tighten the nut with 17.7 in-lb.
- 7 Test the handle and ensure the same force that was needed to open the handle without the extender matches the new force needed to open the handle with the extender
- 8 Dimensions for each size:

Size (in)	H1 Dimension (in)	H2 Dimension (in)	H3 Dimension (in)
1/2	2.15	0.93	0.48
3/4	2.21	1.27	0.62
1	2.22	1.21	0.75
1 1/4	2.90	1.21	0.88
1 1/2	3.00	1.14	1.06
2	3.07	1.14	1.30