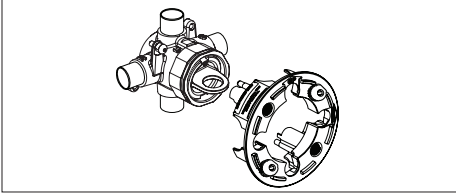


## User Guide

# Viega Flash Shower Valve Model 2842.5



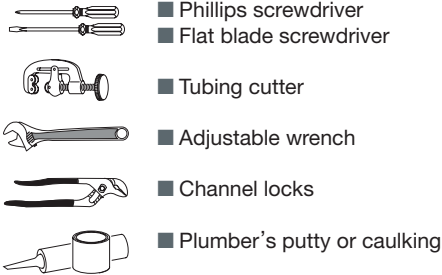
Compatible only with American Standard pressure balance tub/shower, shower only, and valve only trims.

Visit [www.americanstandard-us.com](http://www.americanstandard-us.com) for more information.



To ensure that your installation proceeds smoothly, please read these instructions carefully before you begin.

## Recommended Tools



Viega products are designed to be installed by licensed and trained plumbing and mechanical professionals who are familiar with Viega products and their installation.

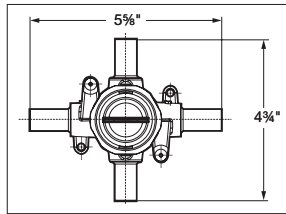
**Installation by non-professionals may void Viega LLC's warranty.**



This document is subject to updates. For the most current Viega technical literature please visit [www.viega.us](http://www.viega.us).

## Roughing-in Dimensions

To assure proper positioning in relation to wall, note roughing-in dimensions.

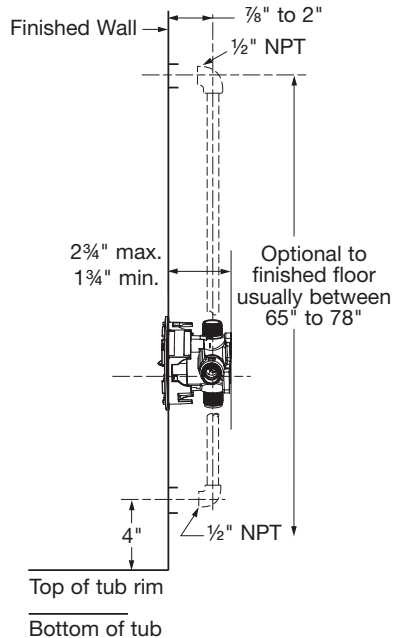


### Inlets:

1/2" Stub Out

### Outlets:

1/2" Stub Out



To avoid shower rise or other related issues, do not use PEX connections at the tub outlet connecting to the tub spout.

## Standard Wall Installation



### CAUTION!

Turn off hot and cold water supplies before beginning.

- See Roughing-in diagram before starting.
- Remove the PLASTER GUARD (8) for proper installation.
- Mount VALVE BODY to cross brace (2" x 4") with-in wall. Use wood screws to secure VALVE BODY to brace.
- Connect HOT and COLD water supplies. See [ProPress ½ to 2 Product Instructions](#) to make a ProPress connection.
- Connect RISER PIPE (1) to VALVE BODY (2) top outlet marked "UP".

- Connect TUB FILLER PIPE (3) to bottom outlet.
- Install PLASTER GUARD (8) back onto the valve. Only remove PLASTER GUARD (8) when ready to install trim Kit.
- Finished wall should allow for a 4" diameter opening (Use PLASTER GUARD for guidance)

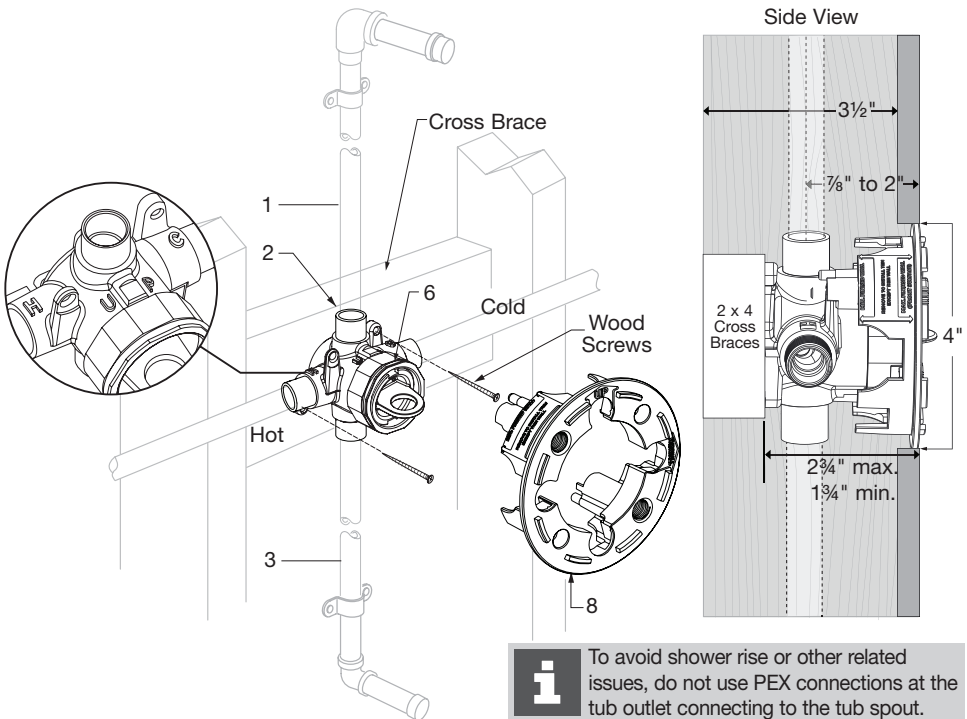


### CAUTION!

After valve installation, inspect the VALVE BODY for any debris. It can damage Pressure Balance Valve cartridge.



For back to back installation, follow steps mentioned above. Reversal of Hot/Cold water supplies is accomplished by rotating cartridge (supplied with trim) 180° during installation.



To avoid shower rise or other related issues, do not use PEX connections at the tub outlet connecting to the tub spout.

## Thin Wall Installation



### CAUTION!

Turn off hot and cold water supplies before beginning.

- See Roughing-in diagram before starting.
- Finished wall should allow for a 3½" diameter opening (Use PLASTER GUARD for guidance).
- Remove PLASTER GUARD (8), rotate 90° counter clockwise and install the two screws. (Thin wall text should be on top)
- Use SELF-CENTERING HOLE GUIDES (9) as a guide for thin wall install.
- LOCKING SCREW (10) keeps valve in place when installing. Completely Thread LOCKING SCREW (10) onto PLASTER GUARD (8).
- During the installation, make sure to position the Locking feature screw as shown in Figure A below. Once the valve is positioned on the Thin Wall, turn counterclockwise as shown in Figure B to secure VALVE BODY (2) in place.

- Connect HOT and COLD water supplies. See [ProPress ½ to 2 Product Instructions](#) to make a ProPress connection.
- Connect RISER PIPE (1) to VALVE BODY (2) top outlet marked "UP".
- Connect TUB FILLER PIPE (3) to bottom outlet.

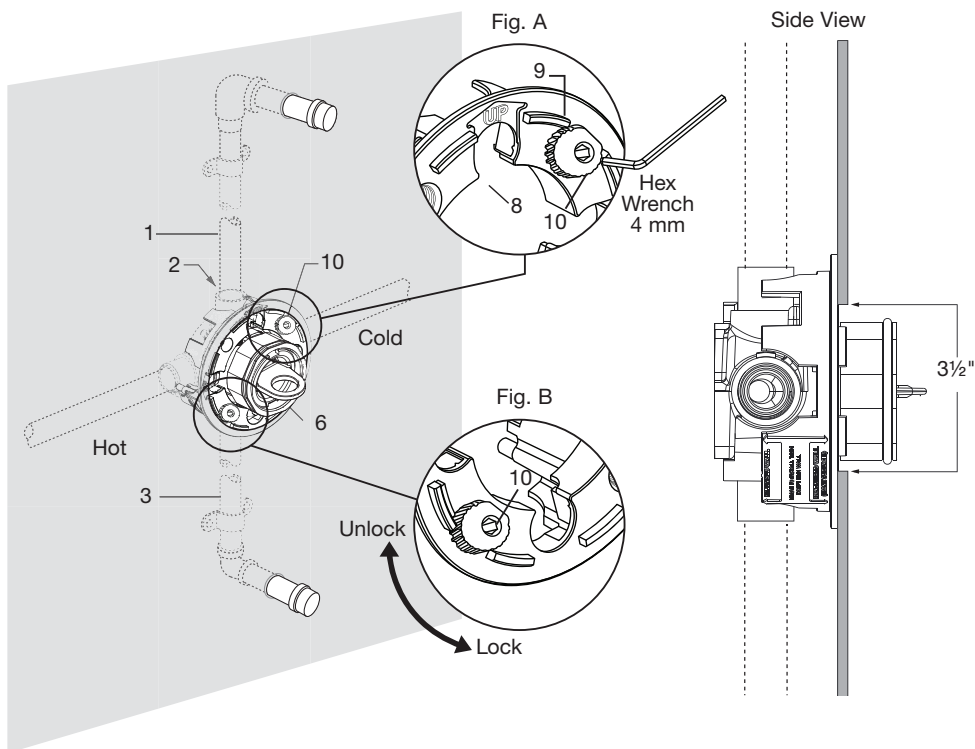


### CAUTION!

After valve installation, inspect the VALVE BODY for any debris. It can damage Pressure Balance Valve cartridge.

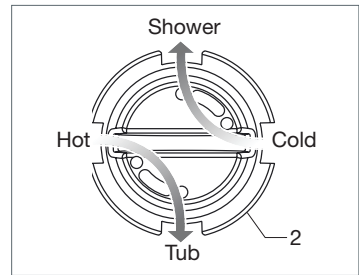
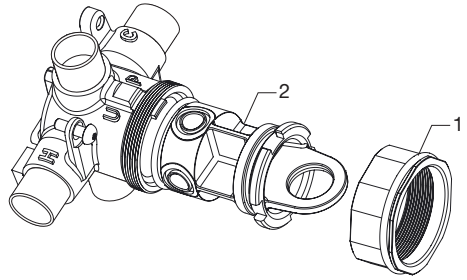


For back to back installation, follow steps mentioned above. Reversal of Hot/Cold water supplies is accomplished by rotating cartridge (supplied with trim) 180° during installation.

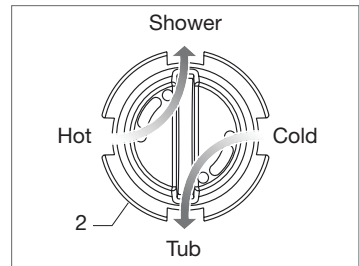


## Test Procedures For Flush Plug

- Valve comes with Flush Plug that allows hot and cold supply lines to be flushed independently (without cross flow).
- Flush plug is shipped in Orientation A.
  - ORIENTATION A directs cold water through the shower port and hot water through the tub port.
- Flush plug can be reversed to Orientation B.
  - ORIENTATION B directs cold water through the tub port and hot water through the shower port.
- For shower only installation flush cold supply line first in Orientation A. Then reverse to Orientation B and flush hot supply line. Alternatively, the flush plug can be removed entirely to flush water through the valve body.
- To switch between orientations follow these steps:
  - Unthread BONNET NUT (1).
  - Rotate FLUSH PLUG (2) 90 degrees to desired orientation.
  - Rethread BONNET NUT (1).
- Upon completion of flushing both hot and cold supply lines unthread BONNET NUT (1), remove FLUSH PLUG (2), and rethread BONNET NUT (1).



Orientation A (as shipped)



Orientation B

### > Viega LLC

585 Interlocken Blvd.  
Broomfield, CO 80021

Phone (800) 976-9819  
www.viega.us

UG-PP 530594 0520 Flash Shower Valve 2842-5 (EN)