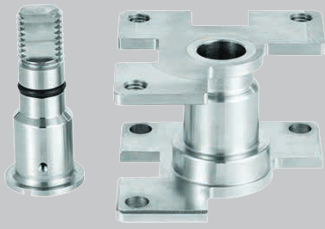


## Product Instructions

# Viega MegaPress® Lockable Stem Extension 2½" to 4"



Model 5970.9XL

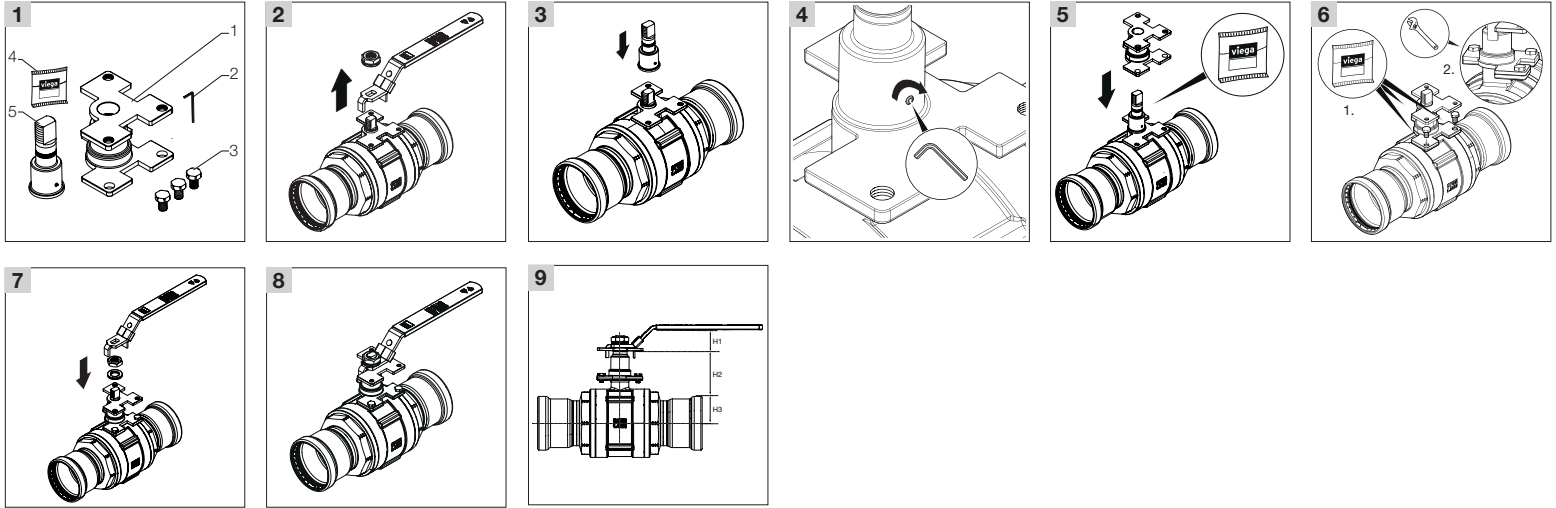


**Viega LLC**  
585 Interlocken Blvd.  
Broomfield, CO 80021  
  
Phone (800) 976-9819  
www.viega.us

## EN Product Instructions Viega MegaPress Lockable Stem Extension 2½ to 4

This document is subject to updates. For the most current Viega technical literature, please visit [www.viega.us](http://www.viega.us).

PI-MP 531176 0823 MegaPress Lockable Stem Extension 2½ to 4



EN

## Viega MegaPress Lockable Stem Extension 2½ to 4 Model 5970.9XL

**!** Viega products are designed to be installed by licensed and trained plumbing and mechanical professionals who are familiar with Viega products and their installation. **Installation by non-professionals may void Viega LLC's warranty.**

**! DANGER!**  
**Read and understand all instructions for installing Viega MegaPress fittings.**  
Failure to follow all instructions may result in extensive property damage, serious injury, or death.

**i** This lockable stem extension can be used with Models 4170XL, 5170XL, and 5970XL of Viega MegaPress Ball Valves 2½" to 4".

- 1 Confirm all components are present and free of defects: 1=exterior piece of extender, 2=hex-key, 3=metric bolts (2½" - M8, 3" and 4" - M10), 4=grease packet, 5=interior piece of extender.
- 2 Turn stem nut in counterclockwise direction while holding the valve handle. Remove stem nut and handle from stem.
- 3 Insert interior piece of extender (component 5 from graphic 1) onto stem thread.
- 4 Hand tighten the bolts with the hex-key. Do not exceed 8.8 in-lb.

- 5 Wet the o-ring on the interior piece and the thread on the top with a little grease. Place exterior piece of extender over the interior piece until the two flanges are on top of each other.
- 6 (1) Wet the bolts with a little grease and hand tighten the bolts to the flange.  
(2) Tighten the bolts with 265 in-lb.
- 7 Align the handle that was removed with the new stem extender and tighten the handle back into place with the nut that was previously removed. Tighten the nut with 265 to 531 in-lb.
- 8 Test the handle and ensure the same force that was needed to open the handle without the extender matches the new force needed to open the handle with the extender
- 9 Dimensions for each size:

Size (in)	H1 Dimension (in)	H2 Dimension (in)	H3 Dimension (in)
2½	1.39	2.50	2.25
3	1.39	2.50	2.66
4	1.75	2.50	3.35