

Tech Data

Viega Three Way Mixing Valve 3/4" - 2"

Description

Three way mixing valves regulate fluid temperature to the system from the heat source. These valves are ideal for mixing fluid to control temperature in heating, cooling, and snow ice melting applications. The valves can be controlled both manually or automatically with the use of actuator (Product No. 20042).

Features

- Compact and lightweight
- Versatile for numerous piping configurations
- Dezincification resistant brass (CW 602N)
- Simple adjustable scale indicating valve position
- Adjustable valve position scale

Specifications

- Fluid Temperature Limits: 14°F- 230°F
- Max. Operating Pressure: 145 psi
- Max. Differential Pressure: 14.5 psi
- Max. Glycol Mixture: 50%

Materials

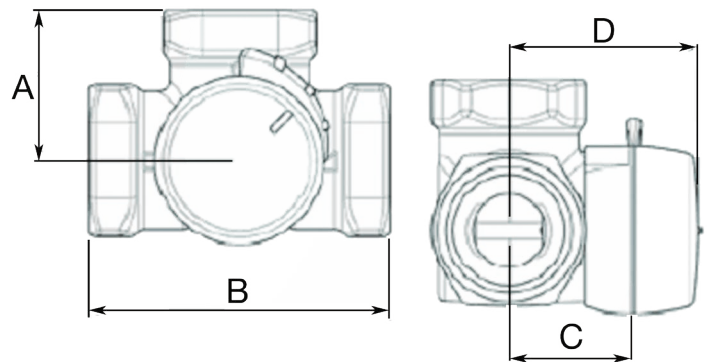
- Brass valve body (CW 602N)
- PPS composite shaft and
- Bushing EPDM O-Ring



This document is subject to updates. For the most current Viega technical literature please visit www.viega.us.



Viega products are designed to be installed by licensed and trained plumbing and mechanical professionals who are familiar with Viega products and their installation. **Installation by non-professionals may void Viega LLC's warranty.**



Product No.	Size (in)	Type	A (in)	B (in)	C (in)	D (in)	Weight (lbs)	CV Value	Flow (gpm)	Heat Capacity (BTU/H)	Pressure drop (psi)	Pressure Drop (ft of head)
20080	3/4	NPT	1.42	2.83	1.26	1.97	0.95	7.3	5 7	50,000 70,000	0.7 1.0	1.6 2.2
20081	1		1.61	3.23	1.34	1.54	1.54	11.7	12 17	120,000 170,000	1.0 2.1	2.4 4.8
20082	1 1/4		1.85	3.70	1.46	2.09	2.09	18.7	19 24	190,000 240,000	1.0 1.6	2.3 3.7
20083	1 1/2		2.09	4.17	1.73	3.70	3.70	29.3	29 34 38	290,000 340,000 380,000	1.0 1.2 1.7	2.2 2.7 3.8
20084	2		2.36	4.72	1.81	5.07	5.07	46.8	47 53 59 65	470,000 530,000 590,000 650,000	1.0 1.1 1.3 1.9	2.3 2.8 2.9 4.4

Heat capacity is based on water at a ΔT of 20°F. The fluid used to calculate pressure drop across the valve is water @ 100°F

V Viega LLC
585 Interlocken Blvd.
Broomfield, CO 80021

Phone (800) 976-9819
www.viega.us

TD-HC 1119 Three Way Mixing Valve

