

## Tech Data

# Viega Shut-Off Valve - PEX Press



### Description

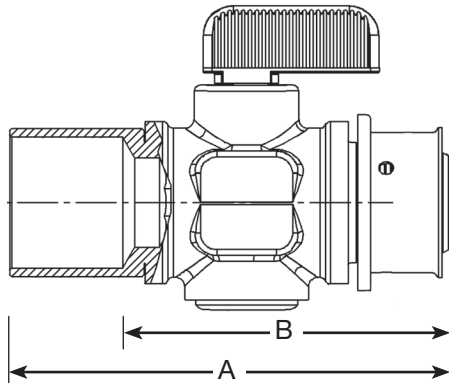
Viega shut-off valves are available in copper (female) x Viega PEX Press and compression. These shut-off valves are commonly used to connect radiant heating, cooling and snow-ice melting tubing to Viega valveless copper manifolds or other copper to PEX Press connections.

### Features

- Viega PEX Press connections
- Compact size
- ¼ turn ball valve
- Available individually or pre-assembled on Viega's 1-½" and 2" copper manifolds

### Materials

- Brass body
- Plated or coated zinc handles
- Teflon, Viton, EPDM seals



This document is subject to updates. For the most current Viega technical literature please visit [www.viega.us](http://www.viega.us).



Viega products are designed to be installed by licensed and trained plumbing and mechanical professionals who are familiar with Viega products and their installation. **Installation by non-professionals may void Viega LLC's warranty.**

### Specifications

- Min. Temperature: 36°F
- Max. Temperature: 250°F
- Max. Pressure: 200 psi
- Max. Glycol Mix: 50%

Valve Size (in)	Approximate Cv Rating
½	3.0
⅝	6.0
¾	6.0

Part No.	Valve	Description	A (in)	B (in)
17260	Shut-Off	½" PEX Press x ½" Copper (female)	2.23	1.73
17261	Shut-Off	⅝" PEX Press x ¾" Copper (female)	3.03	2.27
17262	Shut-Off	¾" PEX Press x ¾" Copper (female)	2.95	2.19

**V Viega LLC**  
585 Interlocken Blvd.  
Broomfield, CO 80021

Phone (800) 976-9819  
[www.viega.us](http://www.viega.us)

TD-HC 1020 Shut-Off Valve - PEX Press

