

## Tech Data

# Viega Copper Manifold End Caps



This document is subject to updates. For the most current Viega technical literature please visit [www.viega.us](http://www.viega.us).



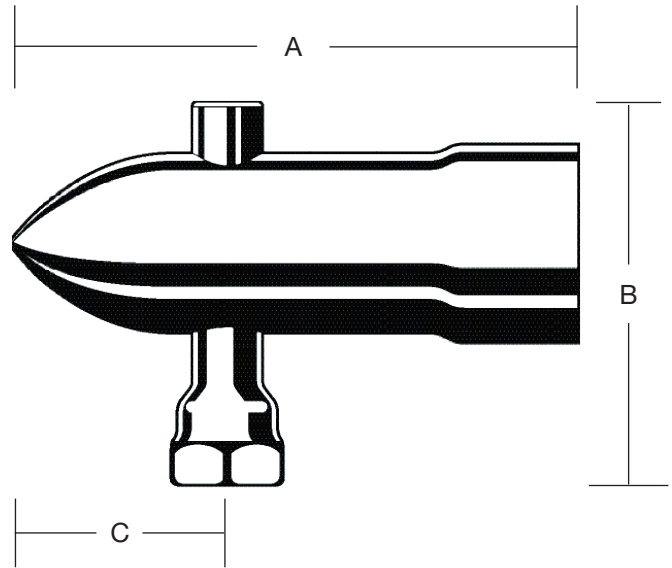
Viega products are designed to be installed by licensed and trained plumbing and mechanical professionals who are familiar with Viega products and their installation. **Installation by non-professionals may void Viega LLC's warranty.**

### Description

Copper Manifold End Caps have two F NPT adapters, one is 1/2" for a draw-off (purge valve). The other is 1/8" for an automatic air vent (bottle vent). Made of Type "L" copper.

### Specifications

■ Copper:	Type "L" ASTM B88
■ Min Temperature:	36°F
■ Max Temperature:	250°F
■ Max pressure:	200 psi.
■ Maximum Glycol Mix:	50%



Product No.	Size (in)	A (in)	B (in)	C (in)
17144	1"	5.00	3.10	2.00
17125	1½"	5.25	3.30	2.00
17106	2"	5.40	4.00	2.80

**V Viega LLC**  
585 Interlocken Blvd.  
Broomfield, CO 80021

Phone (800) 976-9819  
[www.viega.us](http://www.viega.us)

TD-HC 1119 Copper Manifold End Caps

